



TASTE THE **KINETICO** DIFFERENCE

K5 Drinking Water Station

Protection against a wide variety of contaminants

Maximum water efficiency

Flexible and expandable to meet any drinking water need

Flow from faucet is up to two times greater than any other drinking water system





What Makes the Kinetico K5 Drinking Water Station Different?

Cartridge Options Eight different options to meet your removal needs now and in the future. Includes the Purefecta® Virus/Bacteria Guard* for microbiologically pure water. The Mineral Plus+ cartridge improves the taste and health benefits of water by adding magnesium and calcium back into the treated water. Cartridges also available for arsenic, chloramines†, chlorine/sediment, sediment, perchlorate† and VOC reduction. Final polish with carbon postfilter.

QuickFlo® Technology Delivers a strong flow of water from the faucet. Allows system to produce more water in less time.

High Daily Production Can produce more than 40 gallons per day.

Quick Disconnect Sanitary Filter Cartridges Makes changing filters easy.

Patented, Exclusive EverClean® Rinse Consistently-high water quality. Increases membrane life – lowers maintenance cost.

PureMometer® Filter Life Indicator Shows filter capacity.

Patented, Tamper-Proof MACguard® Filter No more wondering when to change cartridges. Assures high quality water and peace of mind.

Automatic System Shutdown Conserves water – doesn't run water continuously to drain.

Exclusive Designer Faucet Lead-free, stylish design available in a variety of finishes.

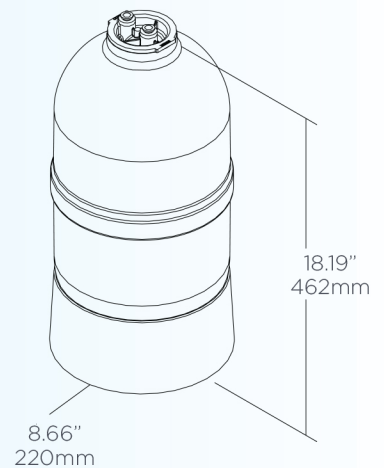
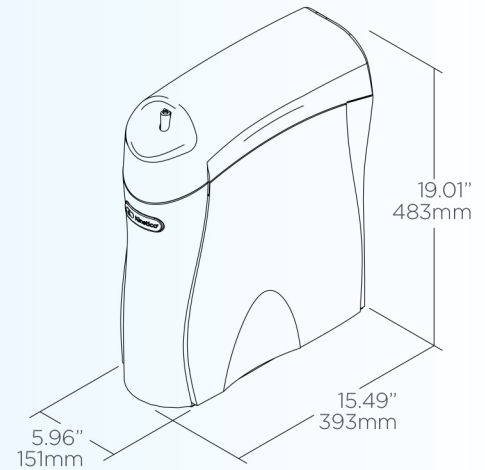
Non-Electric, Totally Automatic No electrical problems.

Efficient Operation Conserves water, lower operating costs.

Outstanding Warranty Dependability, peace of mind.

*Tested and certified by WQA against NSF P231 -microbiological water purifiers.

† Tested and verified by independent laboratory testing.



*Other storage tanks available.



Independent Laboratory Certification

The K5 Drinking Water Station is Tested and Certified by WQA against NSF/ANSI Standards 42, 53, 58, 372 and CSA Standard B483.1-Drinking Water Treatment Systems. Removes 99% Perfluorooctanoic Acid (PFOA) and Perfluorooctane Sulfonate (PFOS)†. Conforms to NSF/ANSI 53 for VOC reduction. (Refer to the Performance Data Sheet for individual contaminants and reduction performance).

"Kinetico" and the Kinetico logo are registered trademarks of Kinetico Incorporated, Newbury, Ohio.

† The PFOA/PFOS claim is applicable to the K5 Drinking Water Station with WOW tank only.